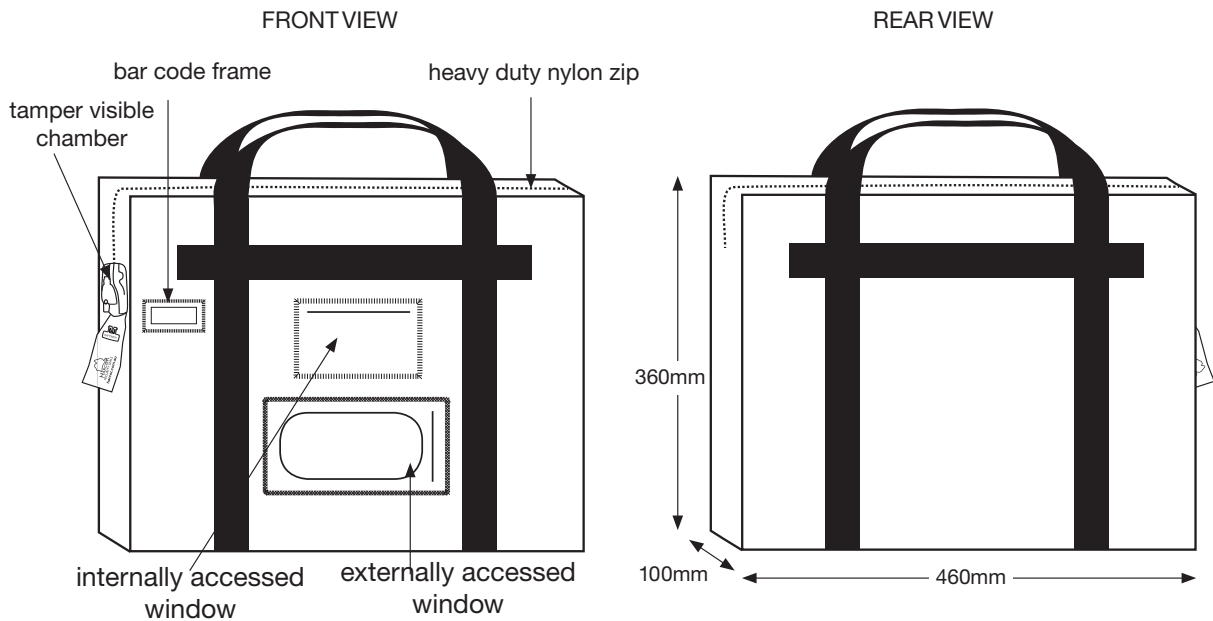


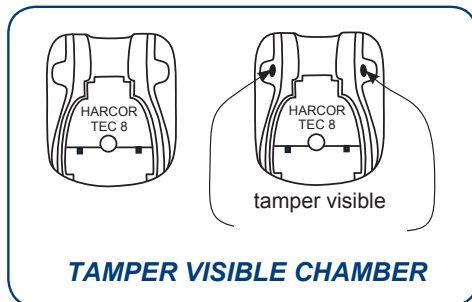
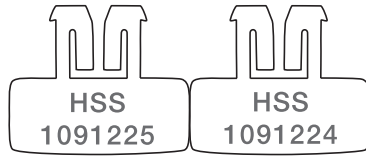
## Till Bag With Handles



### TILL BAG WITH HANDLES HCTH08A..

- Internally accessed windows
- Fully reinforced handles for heavy loads
- Ideal for mail and courier bags
- External dimensions 360 x 460 x 100mm

COLOURS: 02 ● 08 ● 12 ●

HSS 1091225      HSS 1091224

**HARCLIP™ SEAL (NUMBERED) HA056..**

- Seals can be customised with logo and/or barcoded (min run 10,000)
- Australian designed
- Plain - orange only (HA05010)
- Minimum: 1,000

COLOURS: 02 ● 08 ● 12 ● 13 ● 14 ○

NSW +61 (0) 2 9454 4200   VIC +61 (0) 3 8581 9100   QLD +61 (0) 7 3209 8225   WA +61 (0) 8 9443 9010   [harcor.com.au](http://harcor.com.au)