

Endruo Acrylic Padlock

Features

- Accepted by UK & US Customs.
- Approved by LAB for use on logic boards of poker machines.
- DNG approved for NSW only.
- Designed for long term field life.
- See-through body positively indicates tampering.
- Heat stamped with number (7 digits).
- Boxed in units of 1000.
- Requires tool for removal.

Material

Body: Acrylic
Wire Hasp: galvanized

Dimensions

Body: 21mm x 38mm x 5mm
Wire Hasp: 1.2mm diameter

Carton (5000 per Carton)

Size: 1025mm x 350mm x 280mm
Weight: 30kg
Carton 5000 units
5 boxes of 1000 units
5 bags of 200 units per box



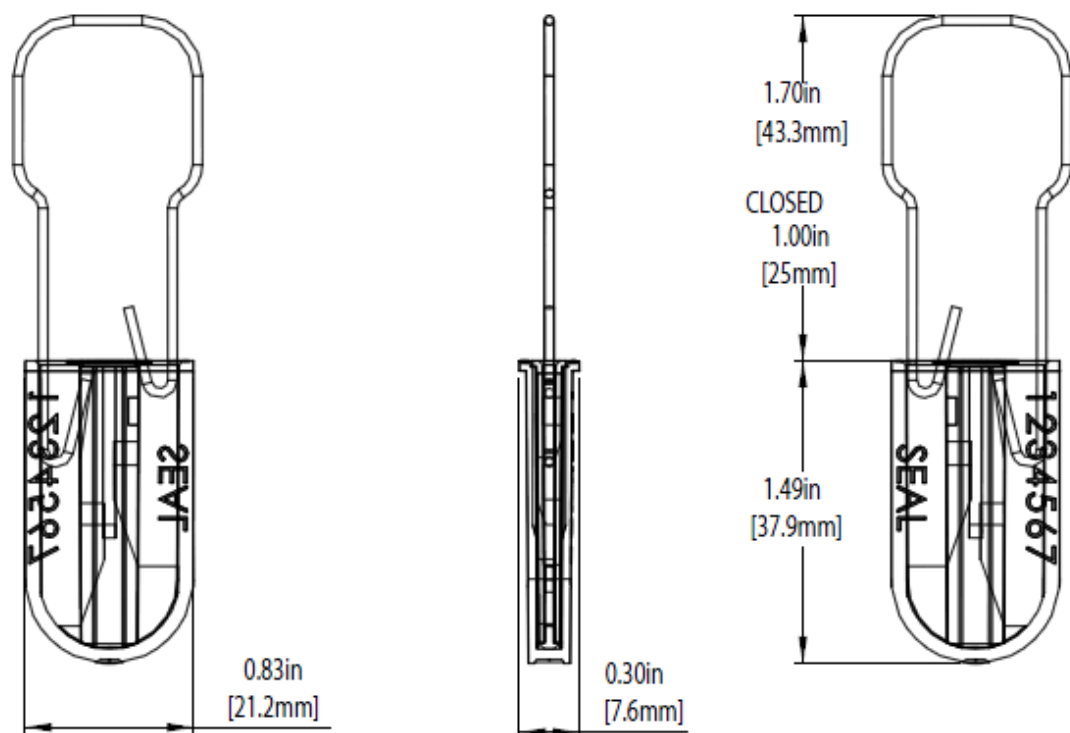
ENDURO ACRYLIC PADLOCK - NUMBERED

BR03914 - Yellow Insert

CUSTOM OPTIONS

One colour logo (Min 200)
Barcode during manufacture (Min 50,000)
Customised serial numbering is available on
logo'd seals only (Min 50,000)

Endruo Acrylic Padlock



APPLICATIONS

- Measuring Devices
- Poker Machines
- Meters
- Doors
- Hatches
- In-bond Shipments
- Bags
- Scales
- Tote Boxes
- Airline Bar
- Key Control