

## ECO BOLT SEAL

### Features

- Laser printed (Increased security)
- High impact plastic cover on locking chamber; plastic coating on rod; both clearly indicate tampering.
- Locking insert spins freely to confirm seal integrity.
- Metal locking end encased in a consecutively numbered body.
- Bolt shank and locking case are plastic coated and identically numbered.
- Removed with bolt cutters.
- 12 units per blister pack.

### Material

Made from 100% virgin materials. No recycled material used. Material is ABS plastic coated. Shaft has been treated to comply with salt spray test. Carbon steel with zinc chromate finish. ABS plastic body on locking case.

### Dimensions

- 10.3mm diameter shaft.
- 20mm diameter head

### ECO BOLT SEAL – NUMBERED

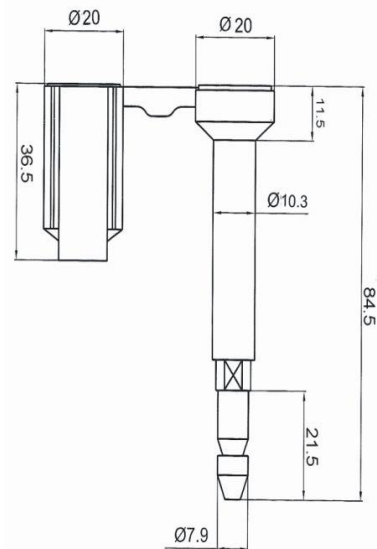
MOQ 60 - Sold in multiples of 60

SS00113 White  
SS00114 Yellow

### ECO BOLT SEAL – CUSTOM OPTIONS

MOQ 20,000

Customised one colour logo  
Barcode  
Customised serial numbering is  
available on logo'd seals only



## ECO BOLT SEAL



### **Carton (300 units)**

Size: 300mm x 430mm x 100mm  
Weight: 16.5kg

### **Strength Characteristics**

Average pull apart force is 1,600 Kg  
Average cutting force is 2,252 Kg  
Average impact force is 40 Nm  
Bending force: 60.33 Nm



### **APPLICATIONS**

- Truck Doors • Tautliner Buckles • Cages • Shipping Containers • Warehouse Doors • Tanker Valves • Drums • Metering Equipment • Product ID • Rail Doors